

Installation instructions for PZ4AL-03870-00

Toyota Camry

Under Run Protective Shield engine bay and transmission case



Model Year: 2001

Vehicle Code:

Part Number: PZ4AL-03870-00



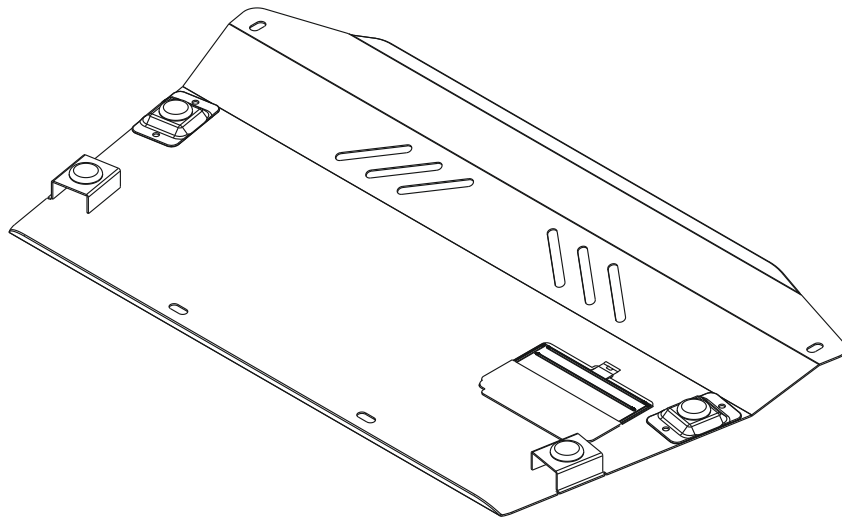
Weight: 9,85 kg



Installation Time: 25 min

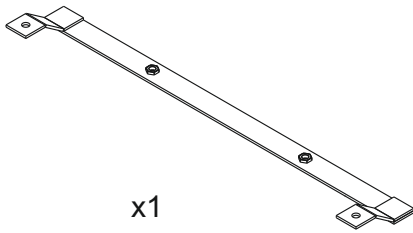
Manual reference number:

A



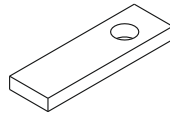
PZ4AL- 03870- 60

B



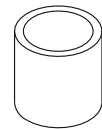
x1

C



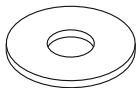
x4

D



x2

E



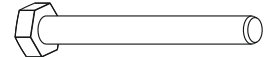
6x Ø10

F1

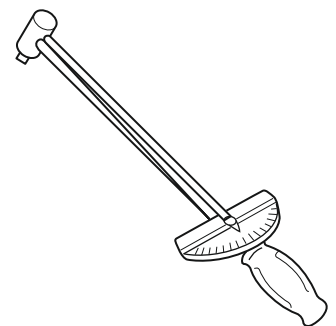
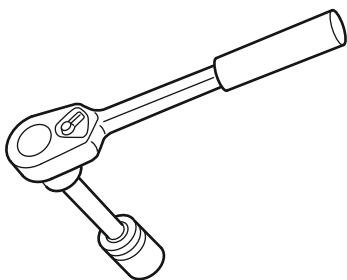


2x M 10x20

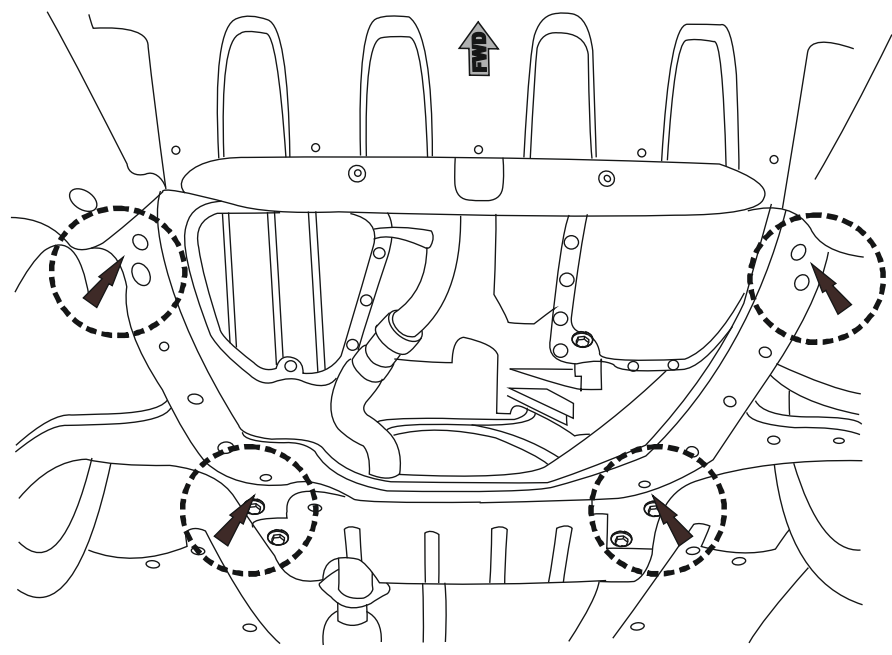
F2



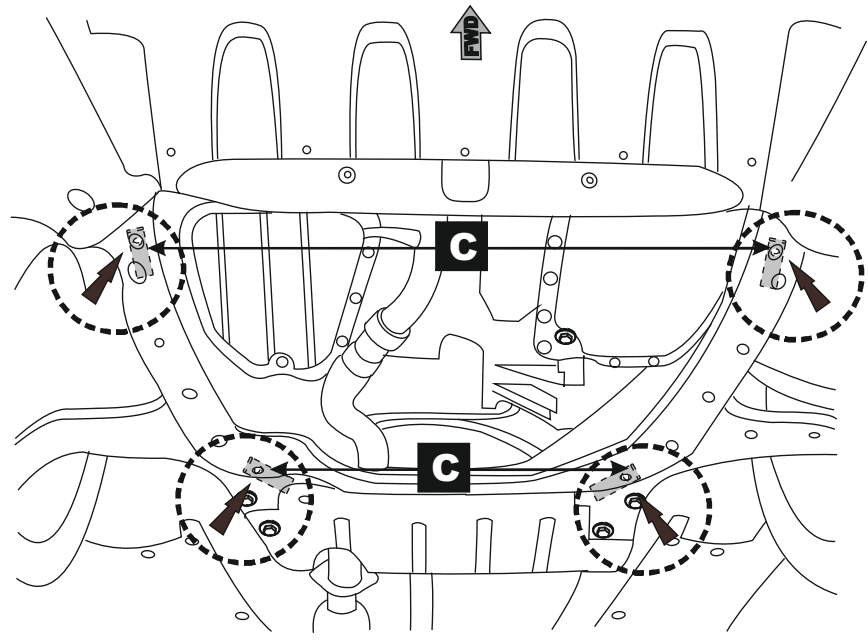
4x M 10x60



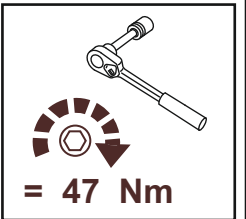
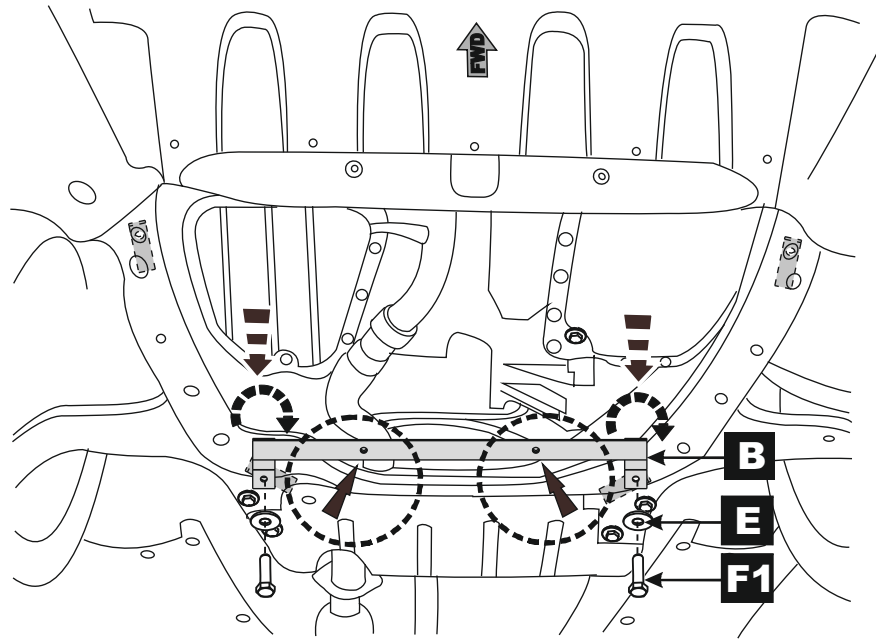
1



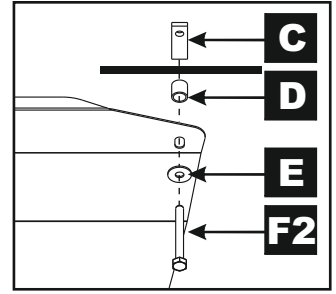
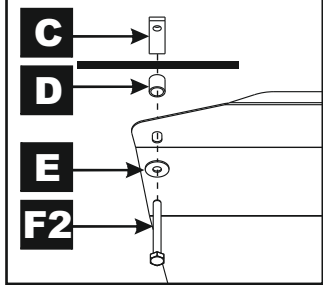
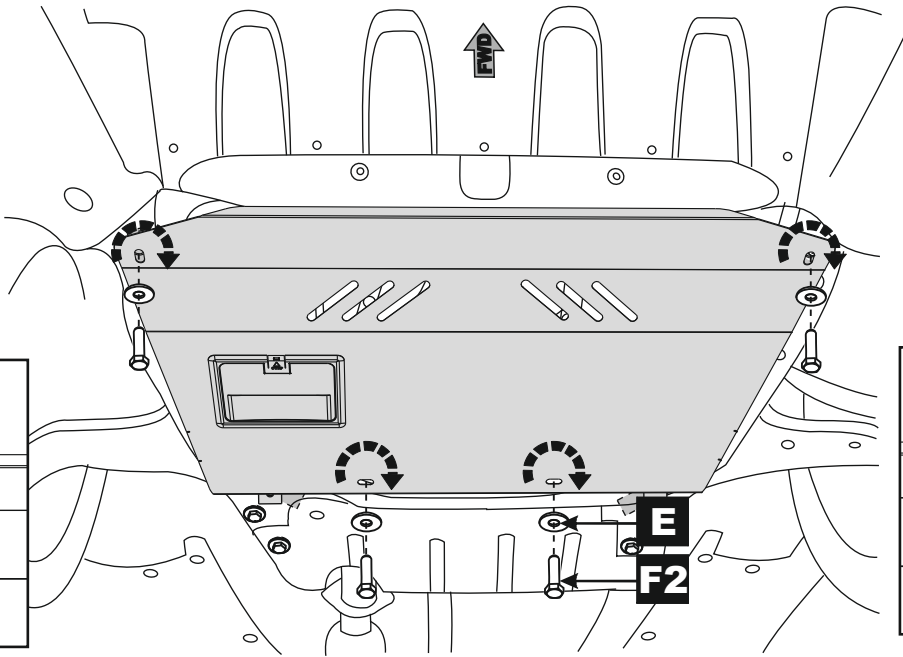
2



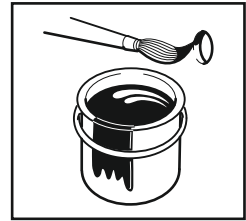
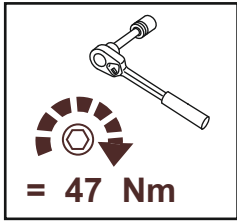
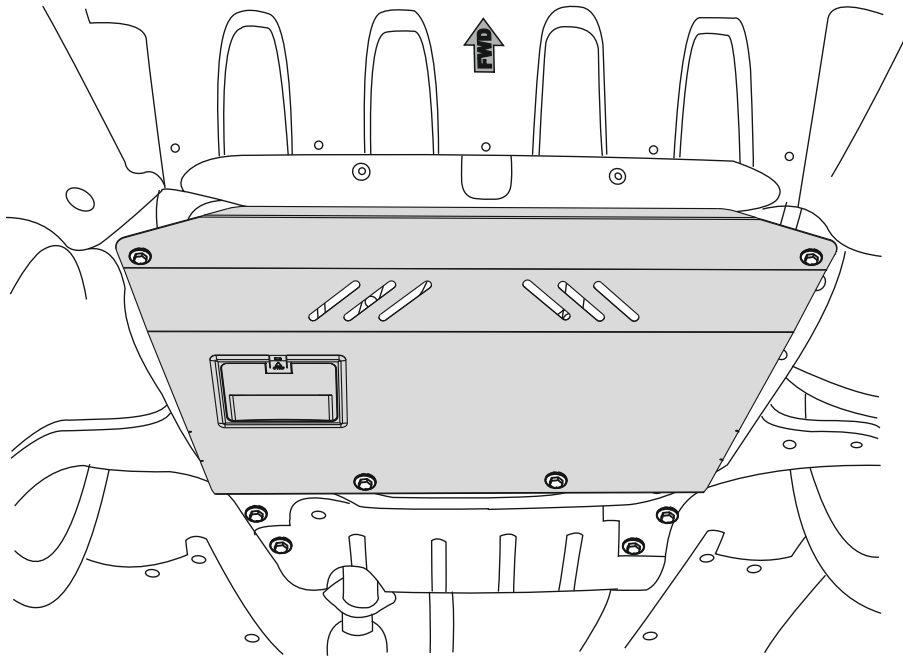
3



4



5



6